

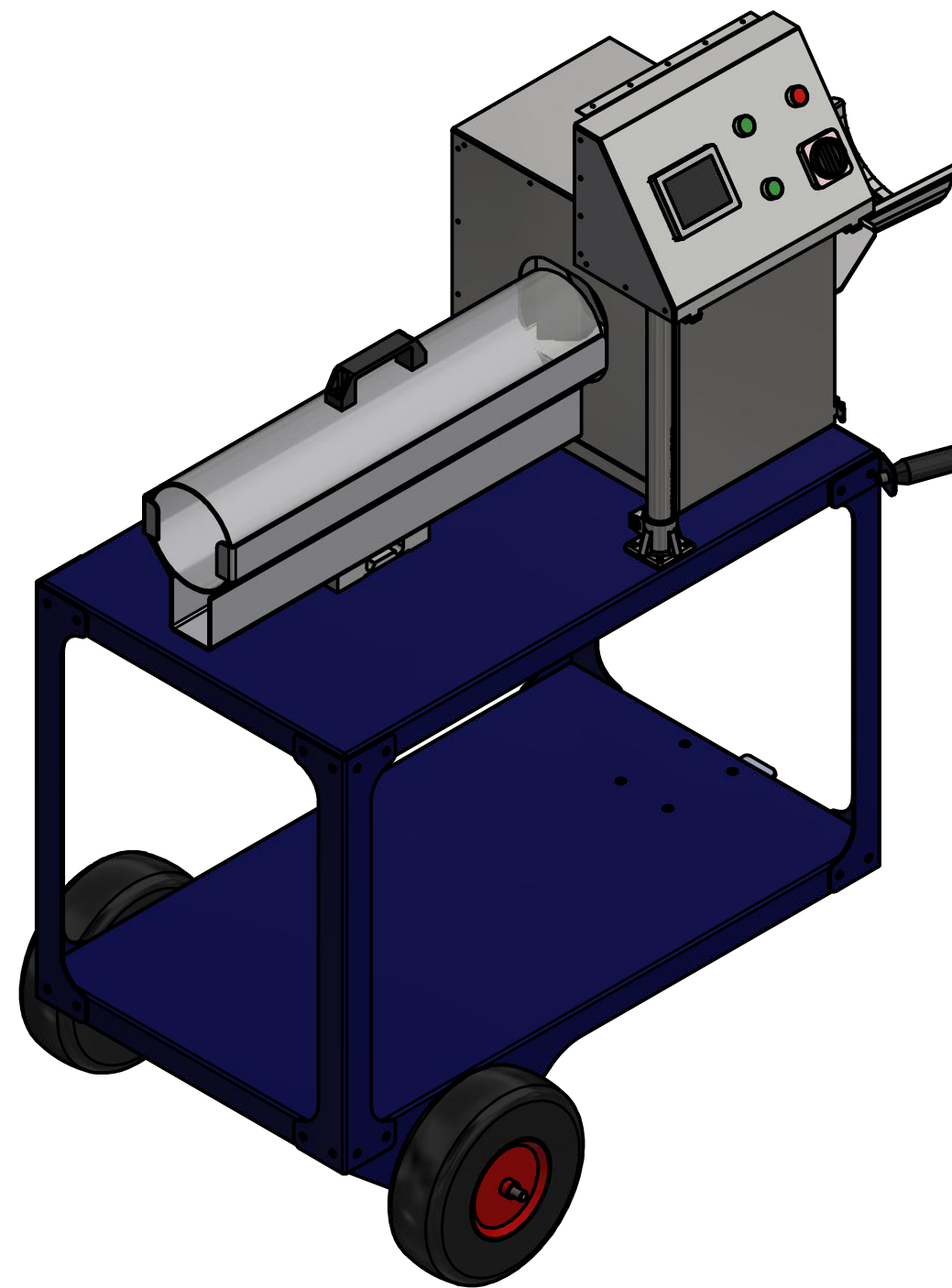
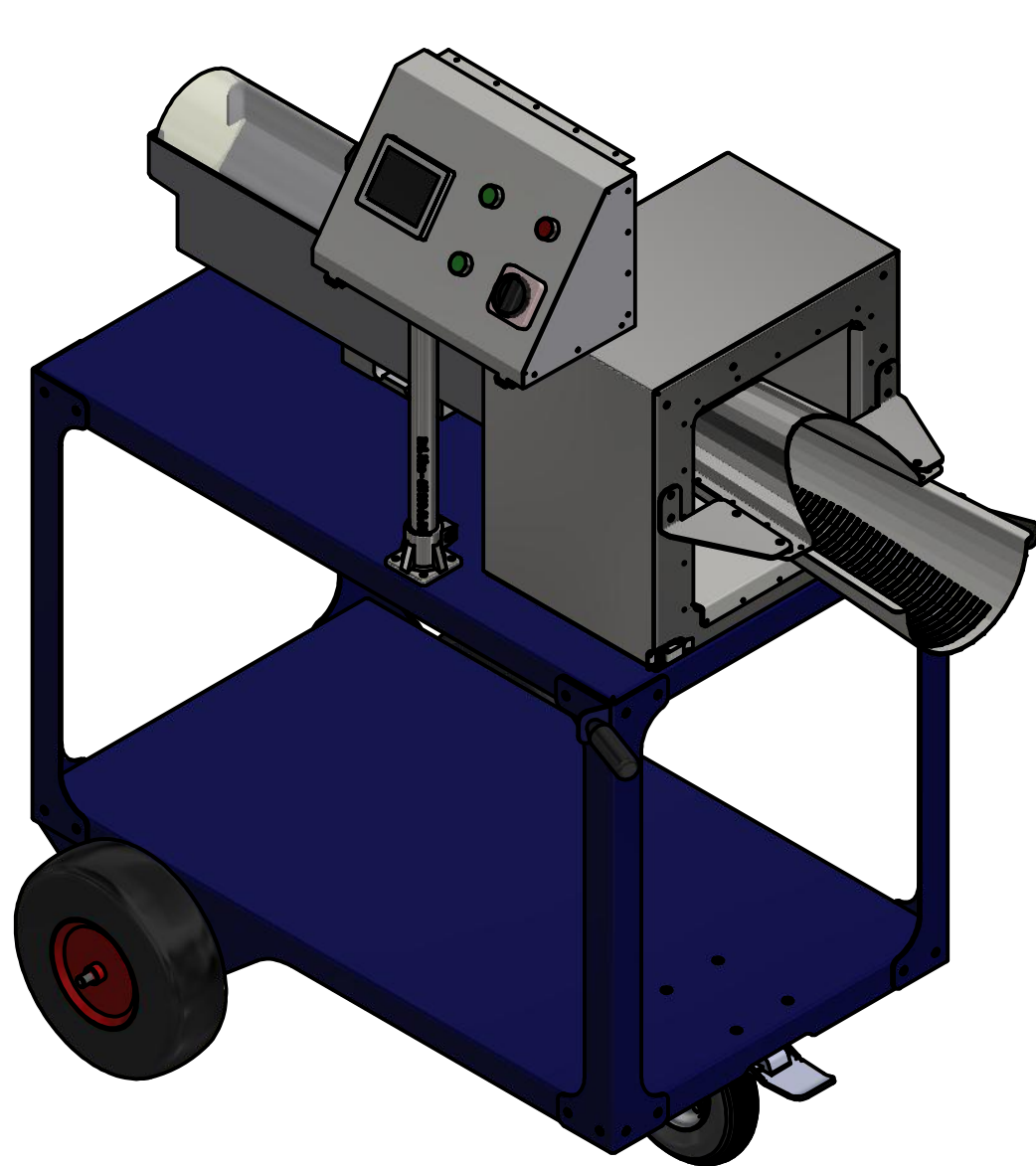
Pos.	Ant.	Titel.	Tegnings Nr.
1	2	Håndtag	
2	1	Fange rør 605mm	
3	1	Veje bøjle	BIM-114
4	1	Gevindstang til hjul	BIM-124
5	1	Vogn	BIM-202
6	1	Tragt	BIM-203
7	1	Tavle	BIM-207
8	2	Rørholder	GN 163-B30-50-2-BL
9	1	Rustfri rør	GN 990 AL-D30-600-BL
10	1	Blickle Hjul	L-P_200R-ST_023143-214
11	1	Vejecelle	Vejecelle
12	2	Purhjul (Sydjysk)	ØDI H TT10-003

## West Coast-Mink

Solbakken 34, 6710 Esbjerg V  
 Tlf. 25 76 96 06  
 Mail: kh@westcoastmink.com

**PROPRIETARY AND CONFIDENTIAL**  
 THE INFORMATION CONTAINED IN THIS DRAWING IS THE SOLE PROPERTY OF WEST COAST-MINK. ANY REPRODUCTION IN PART OR AS A WHOLE WITHOUT THE WRITTEN PERMISSION OF WEST COAST-MINK IS PROHIBITED

Titel:	Målevogn	Save Date:	14-03-2019	Sheet:	A3
		Scale:	1:10	Creation Date:	17-01-2018
		Drawn by:	Max	Rev:	
		Drawing nr.:	BIM-201		

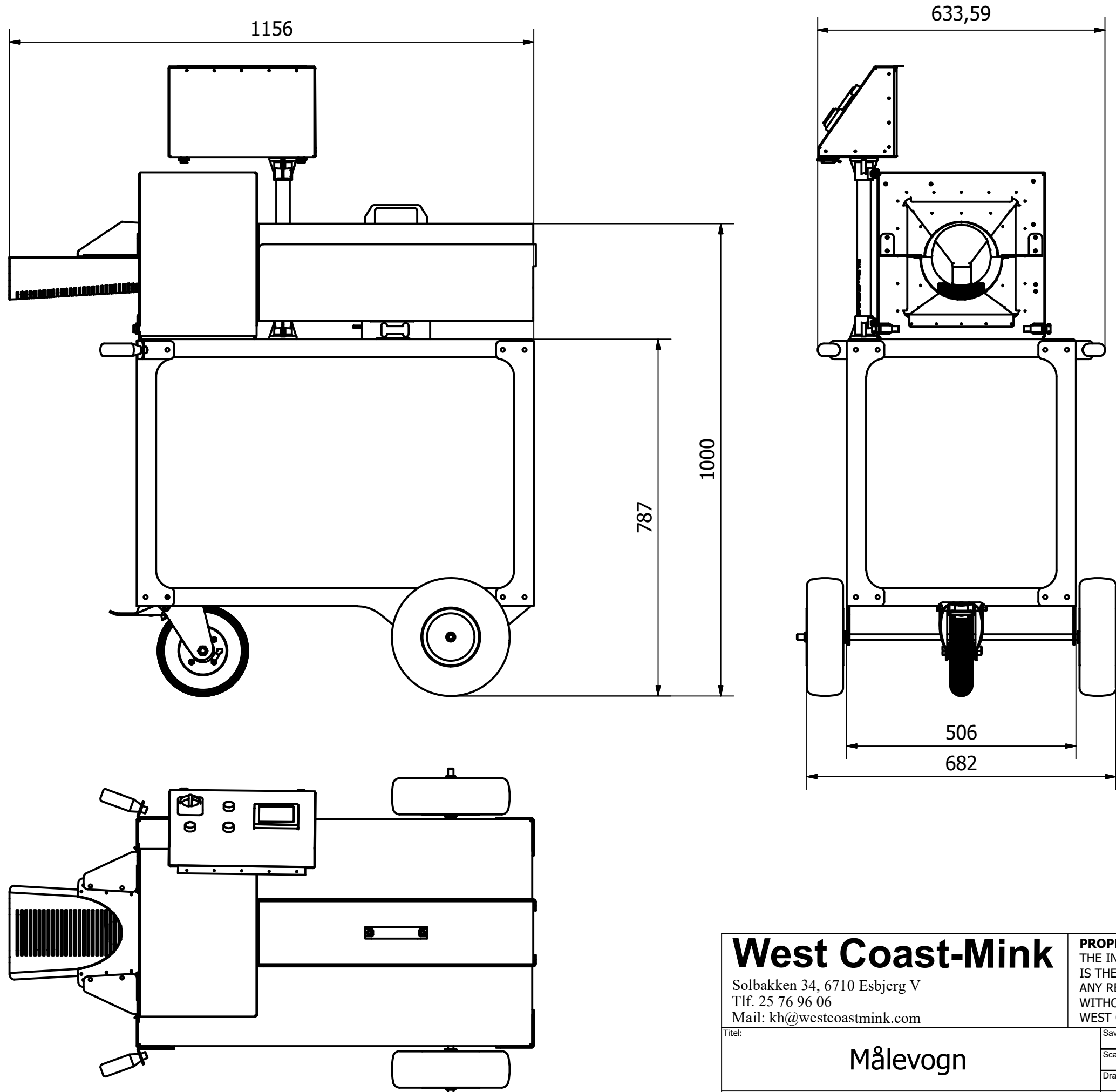


# West Coast-Mink

Solbakken 34, 6710 Esbjerg V  
 Tlf. 25 76 96 06  
 Mail: kh@westcoastmink.com

**PROPRIETARY AND CONFIDENTIAL**  
 THE INFORMATION CONTAINED IN THIS DRAWING  
 IS THE SOLE PROPERTY OF WEST COAST-MINK.  
 ANY REPRODUCTION IN PART OR AS A WHOLE  
 WITHOUT THE WRITTEN PERMISSION OF  
 WEST COAST-MINK IS PROHIBITED

Titel:	Målevogn	Save Date:	14-03-2019	Sheet:	A3
		Scale:	1:10	Creation Date:	17-01-2018
		Drawn by:	Max	Rev:	
		Drawing nr.:	BIM-201		



# West Coast-Mink

Solbakken 34, 6710 Esbjerg V  
 Tlf. 25 76 96 06  
 Mail: kh@westcoastmink.com

**PROPRIETARY AND CONFIDENTIAL**  
 THE INFORMATION CONTAINED IN THIS DRAWING IS THE SOLE PROPERTY OF WEST COAST-MINK. ANY REPRODUCTION IN PART OR AS A WHOLE WITHOUT THE WRITTEN PERMISSION OF WEST COAST-MINK IS PROHIBITED

Titel:  <b>Målevogn</b>	Save Date:	14-03-2019	Sheet:	A3
	Scale:	1:10	Creation Date:	17-01-2018
	Drawn by:	Max	Rev:	
	Drawing nr.:	BIM-201		