
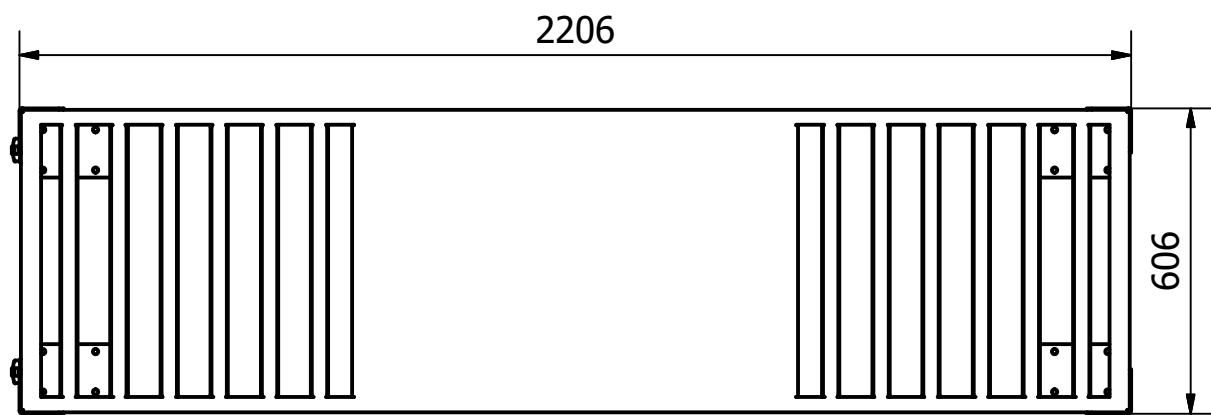
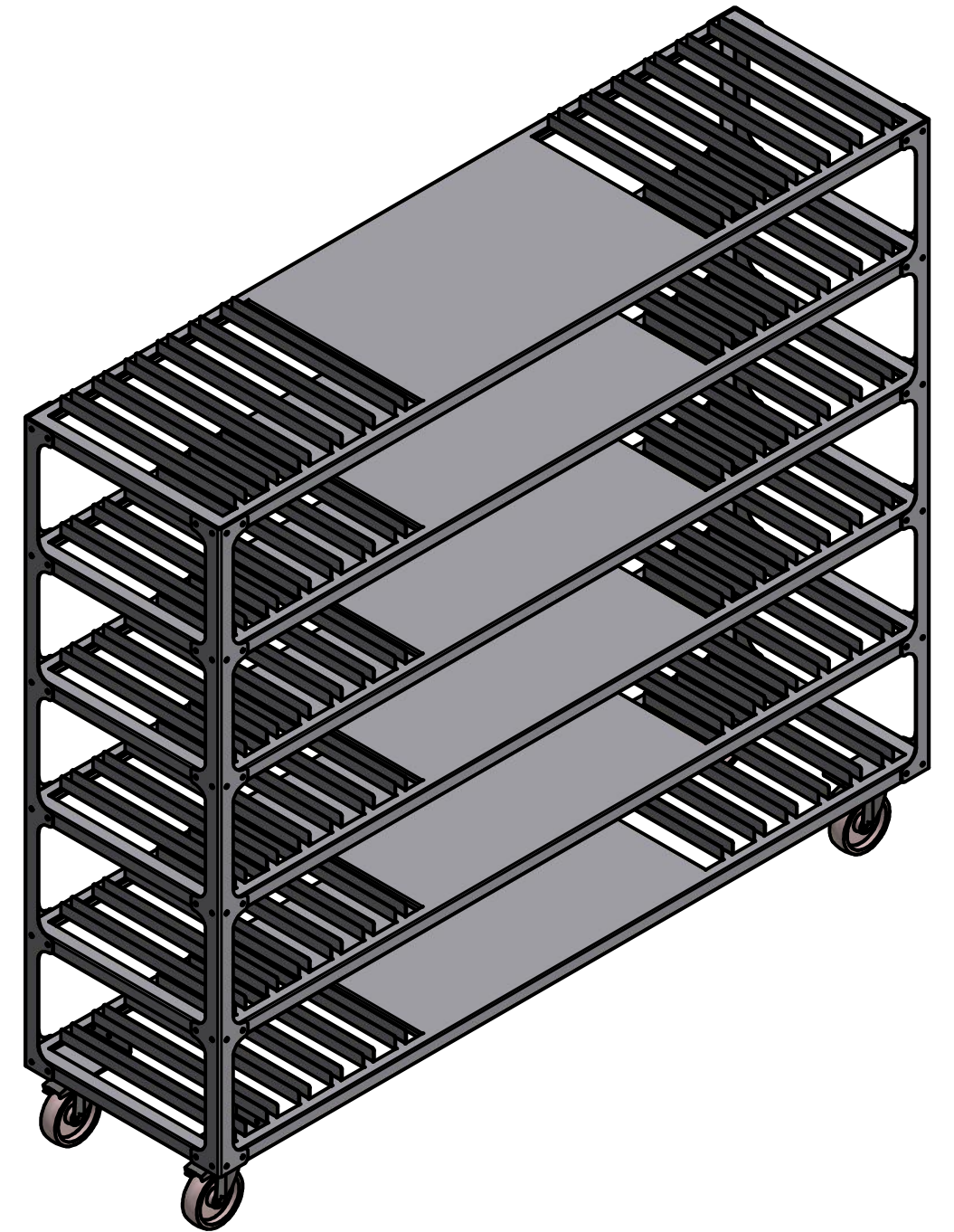
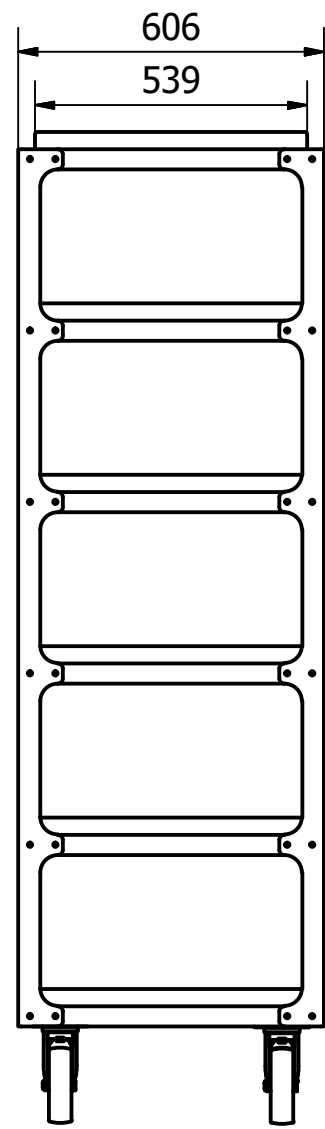
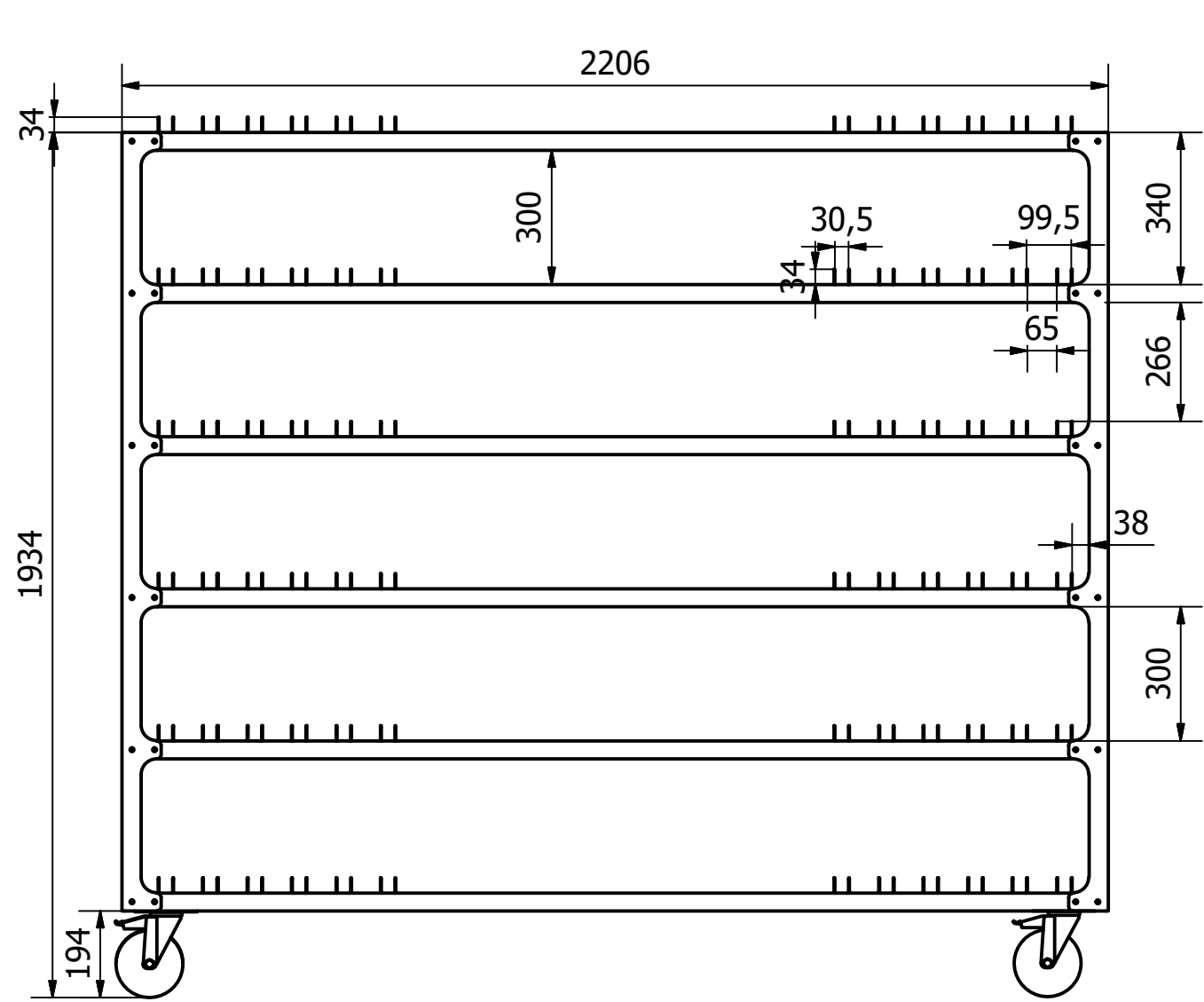



Pos.	Ant.	Titel.	Tegnings Nr.
1	4	Hjul	
2	4	Hjørne	RRL-101
3	6	Hylde	RRL-102
4	4	Hjulbeslag	RRL-105
		 CELA ApS Foldingbrovej 1a 6670 Holsted	Mobil: 23282173 Mail: cela@stofanet.dk
Titel:		Reol	Creation Date: 14-11-2019 Scale: 1:25 Drawn by: Max
		Drawing nr.:	Sheet: A3 Save Date: 20-11-2019 Rev:
			RRL-201



 CELA ApS Foldingbrovej 1a 6670 Holsted	Mobil: 23282173 Mail: cela@stofanet.dk	
	Titil: <b>Reol</b>	Creation Date: 14-11-2019 Scale: 1:25 Drawn by: Max
Drawing nr.: <b>RRL-201</b>		